

BZE24EZ

Hytrol's BZE24EZ is a full-width belt conveyor that uses 24 V motors in addition to the EZLogic® accumulation system. It is designed for material handling applications where accumulation of small items, such as letters and poly bags, is required or when conveying product that would otherwise slip on inclines or declines.

HIGHLIGHTS

- Drive roller allows the belt to span full width to provide more conveying surface to minimize gaps on side of belt
- Utilizes EZLogic accumulation system
- All-electric E24™ motor offers quieter operations and saves on long-term maintenance and energy costs
- Lagged drive roller provides positive drive per zone
- Endless splice belt has a higher coefficient of friction to eliminate product slippage
- Ideal in both incline and decline operations

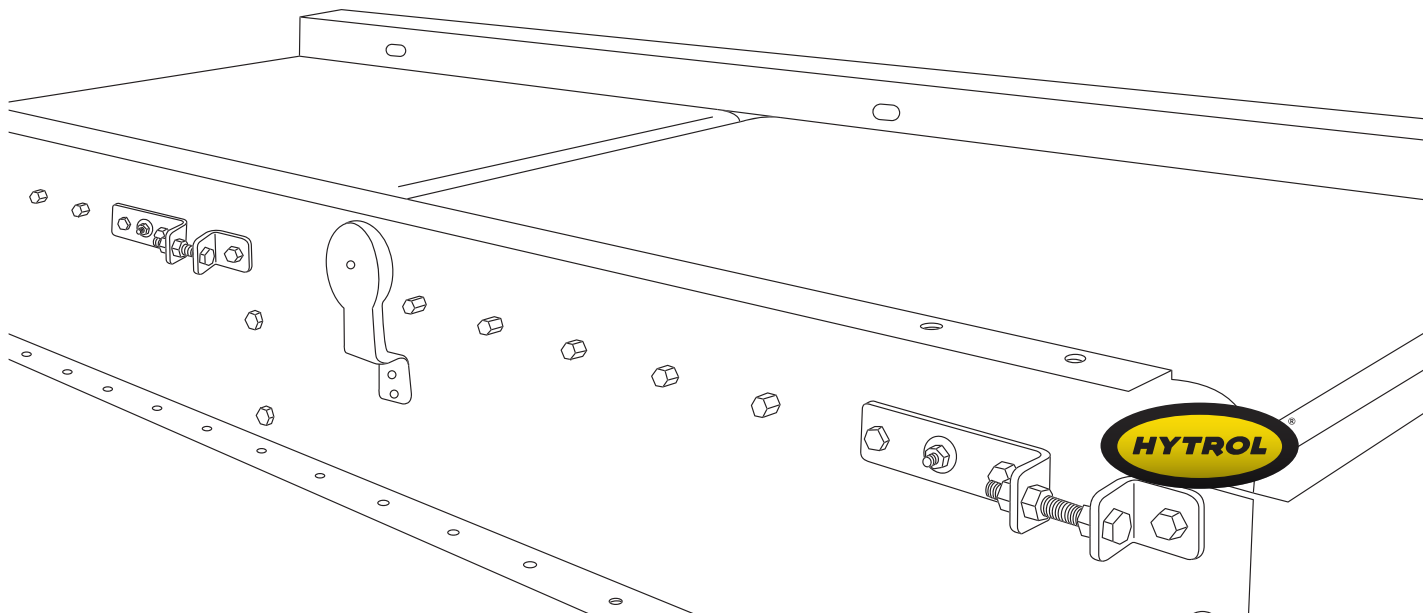
FEATURES & BENEFITS

BED

- Roller bed with 1.9" diameter x 16 ga. galvanized rollers spaced every 3 inches
- Mounted in 8.5" x 12 ga. powder painted formed steel channel frame bolted together with splice plates

DRIVE ROLLER

- 1.9" diameter fully lagged with crown



MOTOR

- 24-DC, 100 W motor
- Mounted on the outside of the channel and placed in each zone of the conveyor
- Couple directly to a lagged drive roller

MOTOR CONTROL CARD

- Used with each 24-DC motor utilizing the 3A setting mounted on outside channel

CONVEYING SPEED

- 32-161 FPM with 100 W motor

ACCUMULATION ZONES

- 24", 30", and 36" zones available

SET LOW CHANNEL DESIGN

- Added additional flanges to make the installation and removal of the optional cover simple
- EZLogic controls ship factory ready, no assembly required
- No additional accumulation or reflector kits needed
- Built in guard rail included in design

EZLOGIC ZONE CONTROLLER

- Located in each zone (retro-reflective). NEMA 1, 2, IP 62. Underwriters Laboratories, Inc. approved

24-DC POWER SUPPLY (FOR MOTORS)

- 40 amp with 12 zones maximum
- 20 amp with 6 zones maximum
- 120, 240, or 480-AC available
- Mounted near center of conveyor

IOP (FOR EZLOGIC ZONE CONTROLLERS)

- Provides 27-DC, 100 W of power for EZLogic accumulation system
- Contains slots for 4 input/output boards
- Operates up to 50 zones with maximum of 25 on either side of input/output/power
- Requires 120-AC or 230-AC single phase input

CAPACITY

- Maximum load 37 lbs. per foot, 75 lbs. per zone

FLOOR SUPPORTS

- Now supplied as optional equipment