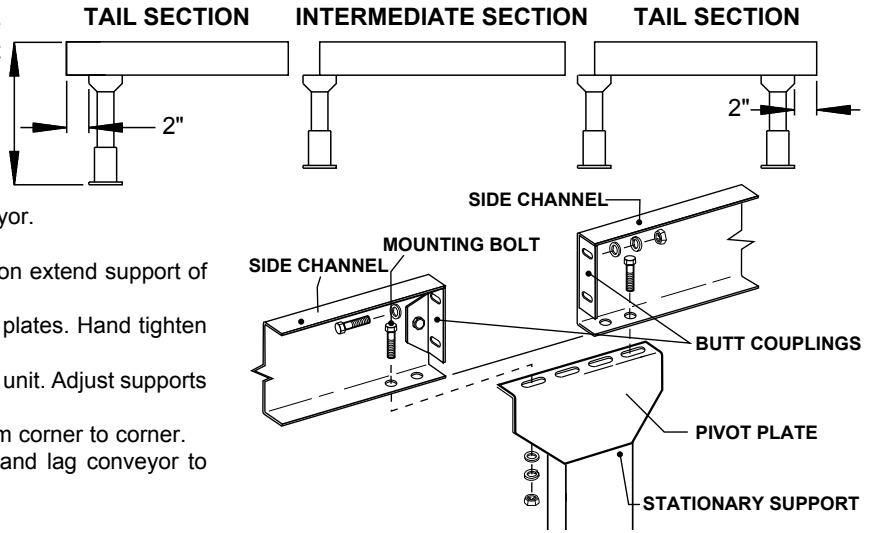


SUPPORT INSTALLATION



Effective June 2014 | Bulletin Number 667 | www.hytrol.com | 870.935.3700

1. Attach supports to both ends of tail section and to one end of intermediate sections. Hand tighten bolts only at this time.
2. Adjust elevation to required height.

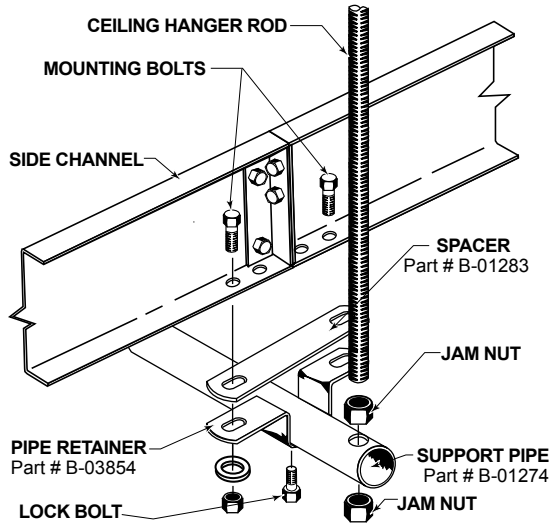


Conveyor Set-up

1. Mark a chalk line on floor to locate center of the conveyor.
2. Place the tail section in position.
3. Install remaining sections placing end without support on extend support of previous section.
2. Fasten sections together with butt couplings and pivot plates. Hand tighten bolts only at this time.
3. Ensure that conveyor is level across width and length of unit. Adjust supports as necessary.
4. Ensure that conveyor section is square, measuring from corner to corner.
5. Tighten all butt coupling and support mounting bolts and lag conveyor to floor.

Ceiling Hanger Installation

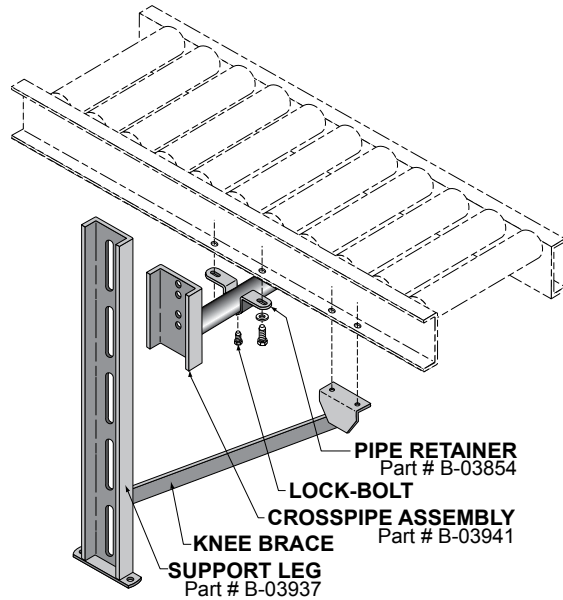
Schedule 40 Pipe



NOTE: When installing ceiling hanger rods in an existing building, all methods of attachment must comply with local building codes.

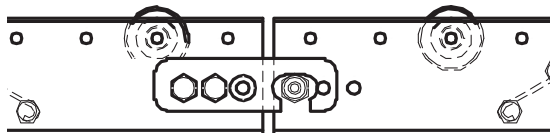
Poly-Tier Support Installation

Schedule 40 Pipe



GRAVITY INSTALLATION INFORMATION

1 3/8 Gravity Hook Connection

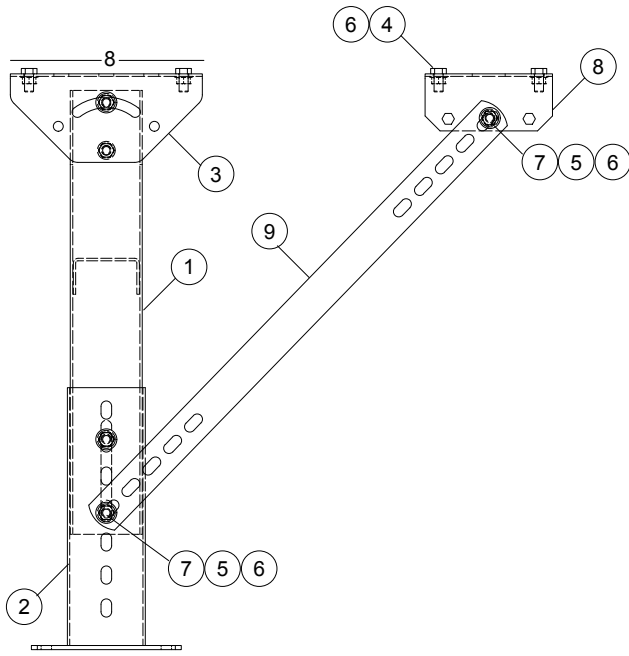


GRAVITY SPARE PARTS

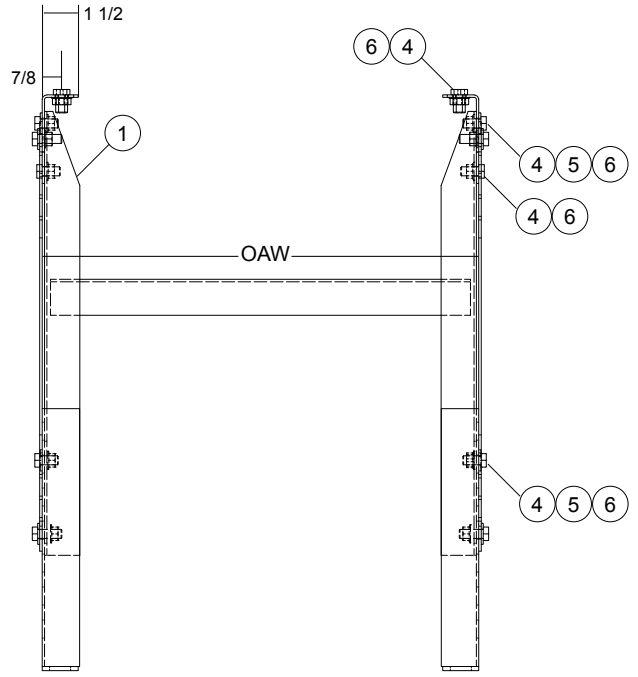
SSR SAR	138 Galvanized Roller	B-03935-BRx8
	138 Aluminum Roller	G-00436-BRx8
	Coupling Hook (Specify Right or Left)	G-00207
	1/2" Dia x 9/16" Lg Shoulder Bolt	042.9195
	Butt Coupling Angle (Specify Right or Left)	G-02907
19SR 19GSR	1.9" OD Unplated Roller Assembly	G-00861-BRx8
	1.9" OD Galvanized Roller Assembly	G-03922-BRx8
	Butt Coupling Angle	G-00656-H
25SR	25 Roller Assembly	G-00472-BRx8
Skatewheel	Wheel - Steel	013.101
	Wheel - Aluminum	013.102

PLEASE SEE HYTROL'S SAFETY MANUAL FOR SAFETY INFORMATION.

Parts Drawing and List

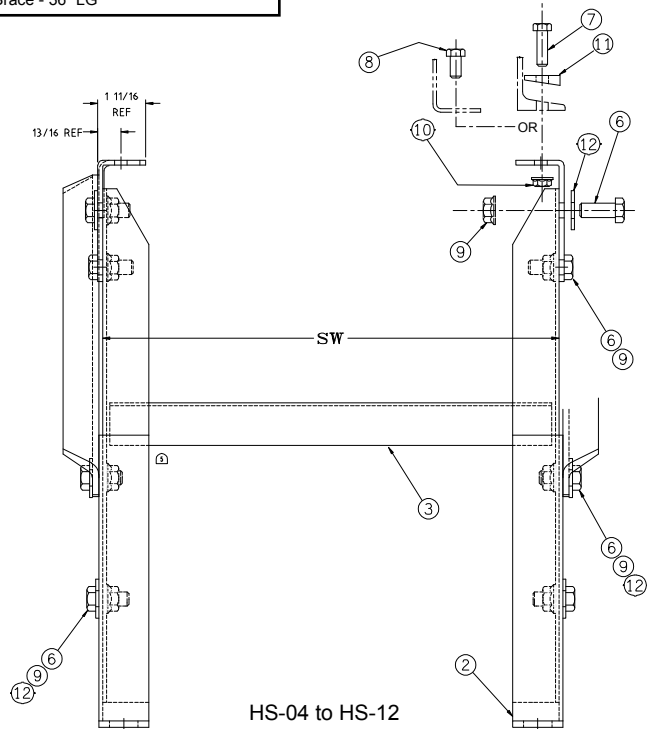
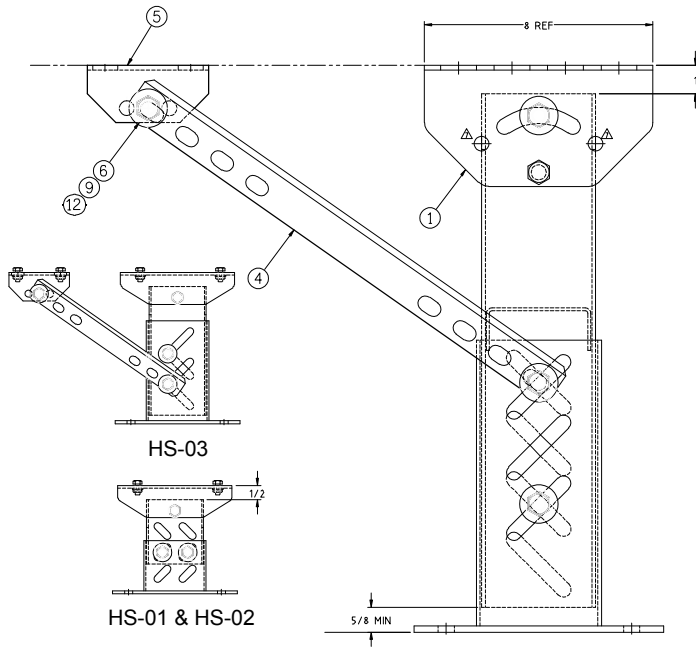


MS-03 to MS-12



Ref No	Part No	Description
1	-	Frame Assembly (Specify Height)
2	B-00911-002	Adjustable Foot Assembly MS-01 to MS-01.4
-	B-00911-003	Adjustable Foot Assembly MS-02 to MS-03
-	B-00911-006	Adjustable Foot Assembly MS-04 to MS-05
-	B-00911-012	Adjustable Foot Assembly MS-06 to MS-12
3	B-02112	Pivot Plate MS-01 to MS-02
-	B-00913	Pivot Plate MS-03 to MS-12

Ref No	Part No	Description
4	040.302	3/8-16 x 3/4" LG Hex Head Cap Screw
5	043.101	5/16" ID (3/8" Bolt) Flat Steel Washer
6	049.5285	3/8-16 Small Flange Locknut
7	040.303	3/8-16 x 1" LG Hex Head Cap Screw
8	B-01717	Return Idler/Knee Brace Bracket
9	B-00303	Knee Brace - 36" LG



Ref No	Part No	Description
1	G-00600	Pivot Plate HS-01 to HS-03
-	G-00564	Pivot Plate HS-04 to HS-12
2	G-00612	Adjustable Foot Weldment HS-01
-	G-00611	Adjustable Foot Weldment HS-02
-	G-00613	Adjustable Foot Weldment HS-03 to HS-05
-	G-00614	Adjustable Foot Weldment HS-06 to HS-07
-	G-00615	Adjustable Foot Weldment HS-08 to HS-12
3	-	Frame Weldment (Specify Height)
4	G-00794-003	Knee Brace Angle HS-03 to HS-05
-	G-00794-004	Knee Brace Angle HS-06 to HS-12

Ref No	Part No	Description
5	G-00793	Knee Brace Bracket
6	040.4015	1/3-13 x 1-1/4" LG Hex Cap Screw
7	040.304	1/2-16 x 1-1/4" LG Hex Cap Screw
8	040.302	3/8-16 x 3/4" LG Hex Head Cap Screw
9	049.530	1/2-13 Large Flange Locknut, Hardened
10	049.5285	3/8-16 Small Flange Locknut
11	049.2015	Bevel Washer 3/8"
12	043.103	1/2" ID Flat Steel Washer Type A